

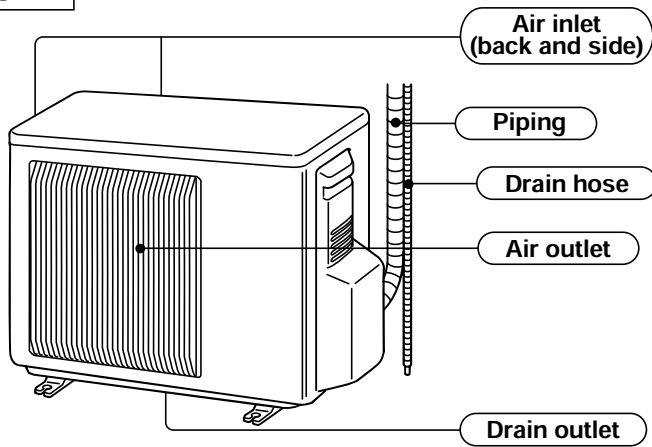
1 COMBINATION OF INDOOR AND OUTDOOR UNITS

	Indoor unit		Outdoor unit			
			Heat pump type			
	Service Ref.	Service Manual No.	SUZ-			
KA09NA.TH			KA12NA.TH	KA15NA.TH	KA18NA.TH	
Heat pump without electric heater	SEZ-KD09NA4.TH	HWE08020	○	—	—	—
	SEZ-KD12NA4.TH		—	○	—	—
	SEZ-KD15NA4.TH		—	—	○	—
	SEZ-KD18NA4.TH		—	—	—	○
	SLZ-KA09NA.TH	OCH487 OCB487	○	—	—	—
	SLZ-KA12NA.TH		—	○	—	—
	SLZ-KA15NA.TH		—	—	○	—

2 PART NAMES AND FUNCTIONS

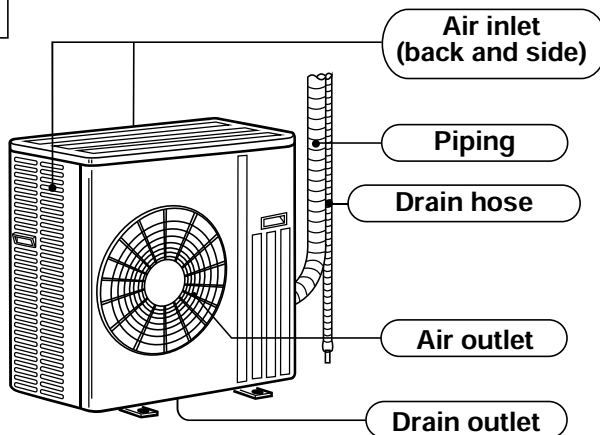
SUZ-KA09NA SUZ-KA12NA SUZ-KA15NA

OUTDOOR UNIT



SUZ-KA18NA

OUTDOOR UNIT



3

SPECIFICATION

Outdoor unit model			SUZ-KA09NA	SUZ-KA12NA	SUZ-KA15NA	SUZ-KA18NA
Power supply	V , phase , Hz		208/230 , 1 , 60			
Max. fuse size (time delay)	A		15			
Min. circuit ampacity	A		12	12	12	14
Fan motor	F.L.A		0.50			0.93
Compressor	Model		KNB073FQDHC	KNB092FQAHC	SNB130FQBH	
		R.L.A	6.6	6.6	7.4	10.0
		L.R.A	8.2	8.2	9.3	12.5
		Refrigeration oil oz. (Model)	10.8 (NEO22)		15.2 (NEO22)	
Refrigerant control			Linear expansion valve			
Sound level ※1	Cooling	dB(A)	46	49	49	54
	Heating	dB(A)	50	51	51	56
Defrost method			Reverse cycle			
Dimensions	W	in.	31-1/2			33-1/16
	D	in.	11-1/4			13
	H	in.	21-5/8			33-7/16
Weight	lb.		66	77	80	119
External finish			Munsell 3Y 7.8/1.1			
Control voltage (by built-in transformer)	VDC		12 - 24			
Refrigerant piping			Not supplied			
Refrigerant pipe size (Min. wall thickness)	Liquid	in.	1/4 (0.0315)			
	Gas	in.	3/8 (0.0315)		1/2 (0.0315)	
Connection method	Indoor		Flared			
	Outdoor		Flared			
Between the indoor & outdoor units	Height difference	ft.	40			50
	Piping length	ft.	65			100
Refrigerant charge (R410A)			1 lb. 16 oz.	2 lb. 9 oz.		3 lb. 16 oz.

NOTE: Test conditions are based on AHRI 210/240.

※1: Rating conditions (Cooling) — Indoor: 80°FDB, 67°F WB, Outdoor: 95°FDB, (75°F WB)
 (Heating) — Indoor: 70°FDB, 60°F WB, Outdoor: 47°FDB, 43°F WB

OPERATING RANGE

(1) POWER SUPPLY

	Rated voltage	Guaranteed voltage (V)
Outdoor unit	208/230 V 1 phase 60 Hz	Min. 187 208 230 Max. 253

4

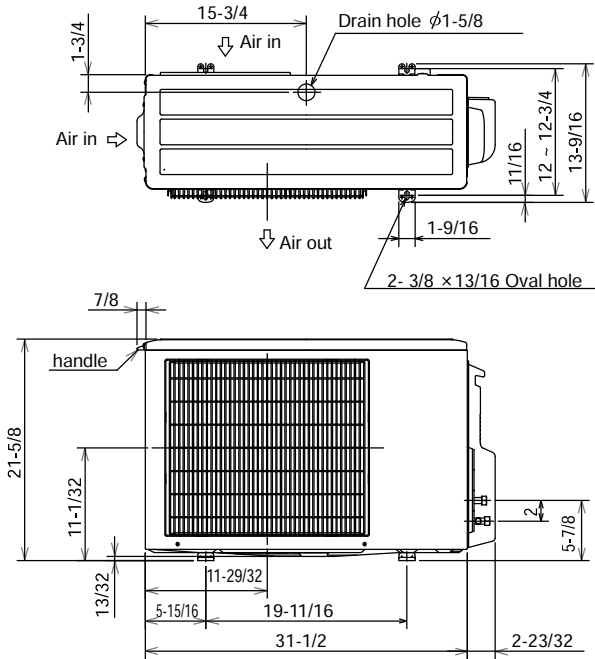
OUTLINES AND DIMENSIONS

SUZ-KA09NA

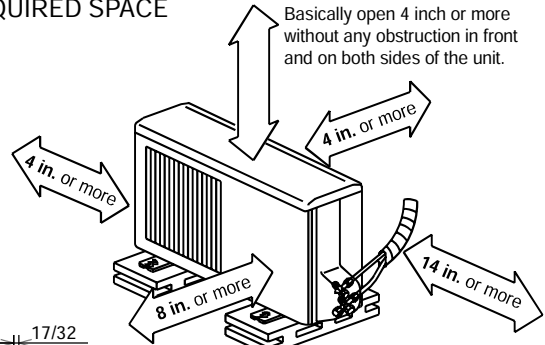
SUZ-KA12NA

SUZ-KA15NA

Unit: inch



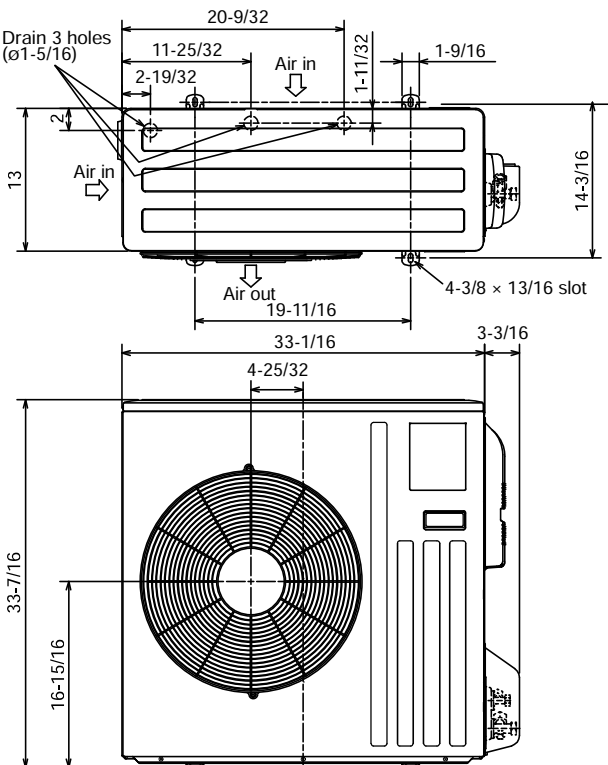
REQUIRED SPACE



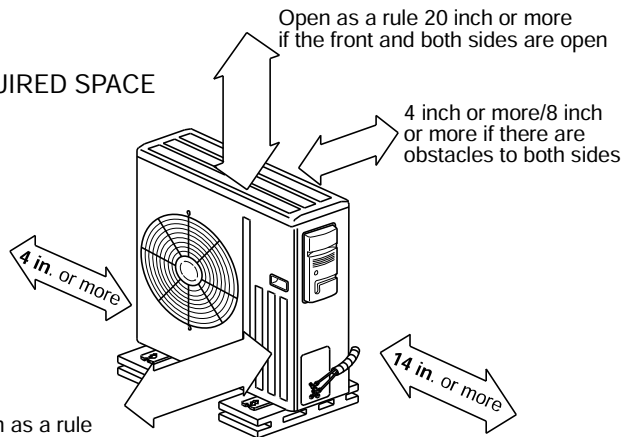
Open two sides of left, right, or rear side.

Liquid pipe : 1/4 (flared)
Gas pipe : 3/8 (flared) (KA09/12)
1/2 (flared) (KA15)

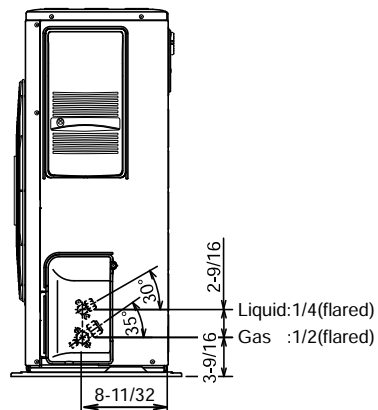
SUZ-KA18NA



REQUIRED SPACE



Open as a rule 20 inch or more if the back, both sides and top are open



STANDARD OPERATION DATA

Representative matching			SEZ-KD09NA4		SEZ-KD12NA4		SEZ-KD15NA4		SEZ-KD18NA4		
Item		Unit	Cooling	Heating	Cooling	Heating	Cooling	Heating	Cooling	Heating	
Total	Capacity	Btu/h	8100	10900	11500	13600	14100	18000	17200	21600	
	SHF	-	0.80	—	0.76	—	0.80	—	0.79	—	
	Input	kW	0.670	1.020	0.920	1.140	1.170	1.500	1.380	1.700	
Electrical circuit	Indoor unit		SEZ-KD09NA4		SEZ-KD12NA4		SEZ-KD15NA4		SEZ-KD18NA4		
	Power supply (V, Phase, Hz)		230, 1, 60								
	Input	kW	0.06	0.04	0.07	0.05	0.09	0.07	0.09	0.07	
	Current	A	0.51	0.39	0.57	0.46	0.74	0.63	0.74	0.63	
	Outdoor unit		SUZ-KA09NA		SUZ-KA12NA		SUZ-KA15NA		SUZ-KA18NA		
	Power supply (V, phase, Hz)		230, 1, 60								
	Input	kW	0.61	0.98	0.85	1.09	1.08	1.43	1.39	1.63	
	Current	A	2.80	4.33	3.64	4.65	4.45	5.96	5.38	6.91	
Refrigerant circuit	Condensing pressure	PSIG	398	448	387	386	399	389	373	397	
	Suction pressure	PSIG	135	97	135	104	133	96	142	100	
	Discharge temperature	°F	148	170	162	165	159	182	150	172	
	Condensing temperature	°F	116	125	114	114	116	115	112	116	
	Suction temperature	°F	49	33	55	35	46	41	52	33	
	Ref. pipe length	ft.	25								
Refrigerant charge (R410A)	-	1 lb. 16 oz.		2 lb. 9 oz.				3 lb. 16 oz.			
Indoor unit	Intake air temperature	DB	°F	80	70	80	70	80	70	80	70
		WB	°F	67	60	67	60	67	60	67	60
	Discharge air temperature	DB	°F	61	102	58	103	60	102	60	101
Outdoor unit	Intake air temperature	DB	°F	95	47	95	47	95	47	95	47
		WB	°F	—	43	—	43	—	43	—	43



Representative matching			SLZ-KA09NA		SLZ-KA12NA		SLZ-KA15NA		
Item		Unit	Cooling	Heating	Cooling	Heating	Cooling	Heating	
Total	Capacity	Btu/h	8400	10900	11100	13600	15000	18000	
	SHF	-	0.84	—	0.77	—	0.67	—	
	Input	kW	0.700	0.930	0.920	1.180	1.460	1.950	
Electrical circuit	Indoor unit		SLZ-KA09NA		SLZ-KA12NA		SLZ-KA15NA		
	Power supply (V, Phase, Hz)		230, 1, 60						
	Input	kW	0.08	0.08	0.09	0.09	0.09	0.09	
	Current	A	0.35	0.35	0.40	0.40	0.65	0.65	
	Outdoor unit		SUZ-KA09NA		SUZ-KA12NA		SUZ-KA15NA		
	Power supply (V, phase, Hz)		230, 1, 60						
	Input	kW	0.63	0.86	0.84	1.10	1.38	1.87	
	Current	A	3.12	4.02	3.82	4.93	5.98	8.10	
Refrigerant circuit	Condensing pressure	PSIG	401	406	379	418	422	475	
	Suction pressure	PSIG	147	104	139	106	128	98	
	Discharge temperature	°F	154	169	152	173	174	188	
	Condensing temperature	°F	116	117	111	118	118	128	
	Suction temperature	°F	52	34	51	36	51	31	
	Ref. pipe length	ft.	25						
	Refrigerant charge (R410A)	-	1 lb. 16 oz.			2 lb. 9 oz.			
Indoor unit	Intake air temperature	DB	°F	80	70	80	70	80	70
		WB	°F	67	60	67	60	67	60
	Discharge air temperature	DB	°F	62	97	60	101	57	111
Outdoor unit	Intake air temperature	DB	°F	95	47	95	47	95	47
		WB	°F	—	43	—	43	—	43