

## SUBMITTAL DATA: MXZ-3B30NA-1

MULTI-INDOOR INVERTER HEAT-PUMP SYSTEM

Job Name:	Location:	Date:
Purchaser:	Engineer:	
Submitted to:	For <input type="checkbox"/> Reference <input type="checkbox"/> Approval <input type="checkbox"/> Construction	
System Designation:	Schedule No.:	

**GENERAL FEATURES**

- Compact side discharge outdoor unit
- Wireless or wired remote controller, indoor unit dependent
- Quiet operation
- Automatic fan speed control
- Auto restart following power outage
- Self-check function—integrated diagnostics
- Advanced microprocessor control
- Limited warranty: five years parts and seven years compressors





Outdoor Unit: MXZ-3B30NA-1

**ACCESSORIES**

- Air Outlet Guide (MAC-856SG)
- 3/8" x 1/2" Port Adapter (MAC-A454JP-E)
- 1/2" x 3/8" Port Adapter (MAC-A455JP-E)
- 1/2" x 5/8" Port Adapter (MAC-A456JP-E)
- 1/4" x 3/8" Port Adapter (PAC-493PI)
- 3/8" x 5/8" Port Adapter (PAC-SG76RJ-E)

Specifications			Model Name
Unit Type			MXZ-3B30NA-1
<b>Cooling*</b> (Non-ducted / Ducted)	Rated Capacity	Btu/h	28,400 / 27,400
	Maximum Capacity	Btu/h	28,400 / 27,400
	Total Input	W	3,120 / 3,330
<b>Heating at 47°F*</b> (Non-ducted / Ducted)	Rated Capacity	Btu/h	28,600 / 27,600
	Maximum Capacity	Btu/h	36,000 / 35,000
	Total Input	W	2,150 / 2,220
<b>Heating at 17°F*</b> (Non-ducted/Ducted)	Rated Capacity	Btu/h	16,000 / 15,100
	Total Input	W	2,120 / 2,190
<b>Electrical Requirements</b>	Power Supply	Voltage, Phase, Hertz	208 / 230V, 1-Phase, 60 Hz
	Recommended Fuse/Breaker Size	A	20
	MCA	A	18
<b>Voltage</b>	Indoor - Outdoor S1-S2	V	AC 208 / 230
	Indoor - Outdoor S2-S3	V	DC ±24
<b>Compressor</b>			DC Inverter-driven Twin Rotary
<b>Fan Motor (ECM)</b>		F.L.A.	0.93
<b>Sound Pressure Level</b> (Non-ducted/Ducted)	Cooling	dB(A)	49
	Heating		49
<b>External Dimensions (H x W x D)</b>		In. / mm	35-7/16 x 35-7/16 x 12-5/8 / 900 x 900 x 321
<b>Net Weight</b>		Lbs. / kg	150 (68)
<b>External Finish</b>			Munsell No. 3Y 7.8 / 1.1
<b>Refrigerant Pipe Size O.D. — Four Ports</b>	Liquid (High Pressure)	(In. / mm)	1/4 / 6.35
	Gas (Low Pressure)		A: 1/2 / 12.7; B,C: 3/8 / 9.52
<b>Max. Refrigerant Line Length</b>		Ft.	230
<b>Max. Piping Length for Each Indoor Unit</b>		Ft.	82
<b>Max. Refrigerant Pipe Height Difference</b>	If Indoor Unit is Above Outdoor Unit	Ft.	49
	If Indoor Unit is Below Outdoor Unit		33
<b>Connection Method</b>			Flared
<b>Refrigerant</b>			R410A

(For data on specific indoor units, see the MXZ-B Technical and Service Manual.)

**\* Rating Conditions per AHRI Standard:**

 Cooling | Indoor: 80° F (27° C) DB / 67° F (19° C) WB  
 Cooling | Outdoor: 95° F (35° C) DB / 75° F (24° C) WB

 Heating at 47° F | Indoor: 70° F (21° C) DB / 60° F (16° C) WB  
 Heating at 47° F | Outdoor: 47° F (8° C) DB / 43° F (6° C) WB

 Heating at 17° F | Indoor: 70° F (21° C) DB / 60° F (16° C) WB  
 Heating at 17° F | Outdoor: 17° F (-8° C) DB / 15° F (-9° C) WB

Specifications are subject to change without notice.

© 2013 Mitsubishi Electric US, Inc.

# SPECIFICATIONS: MXZ-3B30NA-1, contd.

### Operating Range:

		Indoor Intake Air Temp.	Outdoor Intake Air Temp.
Cooling	Maximum	95° F (35° C) DB 71° F (22° C) WB	115° F (46° C) DB
	Minimum	67° F (19° C) DB 57° F (14° C) WB	14° F (-10° C) DB
Heating	Maximum	80° F (27° C) DB 67° F (19° C) WB	75° F (24° C) DB 65° F (18° C) WB
	Minimum	70° F (21° C) DB 60° F (16° C) WB	6° F (-14° C) DB 5° F (-15° C) WB

### Energy Efficiencies:

Indoor Unit Type	SEER	EER	HSPF	COP @ 47°F	COP @ 17°F
Non-ducted (06 + 06 + 09)	17.5	9.1	10.5	3.9	2.78
Ducted and Non-ducted	16	8.65	10.0	3.76	2.78
Ducted (09 + 09 + 09)	14.5	8.2	9.5	3.64	2.78

### Multi-Zone Indoor/Outdoor Combination Table

	MSZ-FE*	MSZ-GE*	MFZ*	SEZ*	SLZ*	PCA (A24)*	PLA (A12/18/24)*	PEAD (A24)*
<b>MXZ-3B30NA-1</b>	OK	OK	OK	OK	OK	24 OK	18, 24 OK 12 NO	24 OK

\* Refer to indoor unit submittal.

### Notes:

- Minimum of two Indoor Units must be connected to the MXZ-3B30NA-1.
- Minimum installed capacity cannot be less than 12,000 Btu/h.
- There are NO indoor units larger than 24,000 Btu/h that can be connected to MXZ Systems.
- PLA-A12BA can NOT be connected with MXZ-2B20NA-1/MXZ-3B24NA-1/MXZ-3B30NA-1/MXZ-4B36NA-1.
- System can operate with only one Indoor Unit turned on. (see Operation Performance Table next page for single Indoor Unit performance).
- May connect to any style indoor unit or combination.
- Information provided at 208/230V. Refer to the MXZ Outdoor Unit Service Manual for detailed specifications and additional information per Indoor Unit Combination.

Notes:

# MXZ-3B30NA-1 OPERATION PERFORMANCE

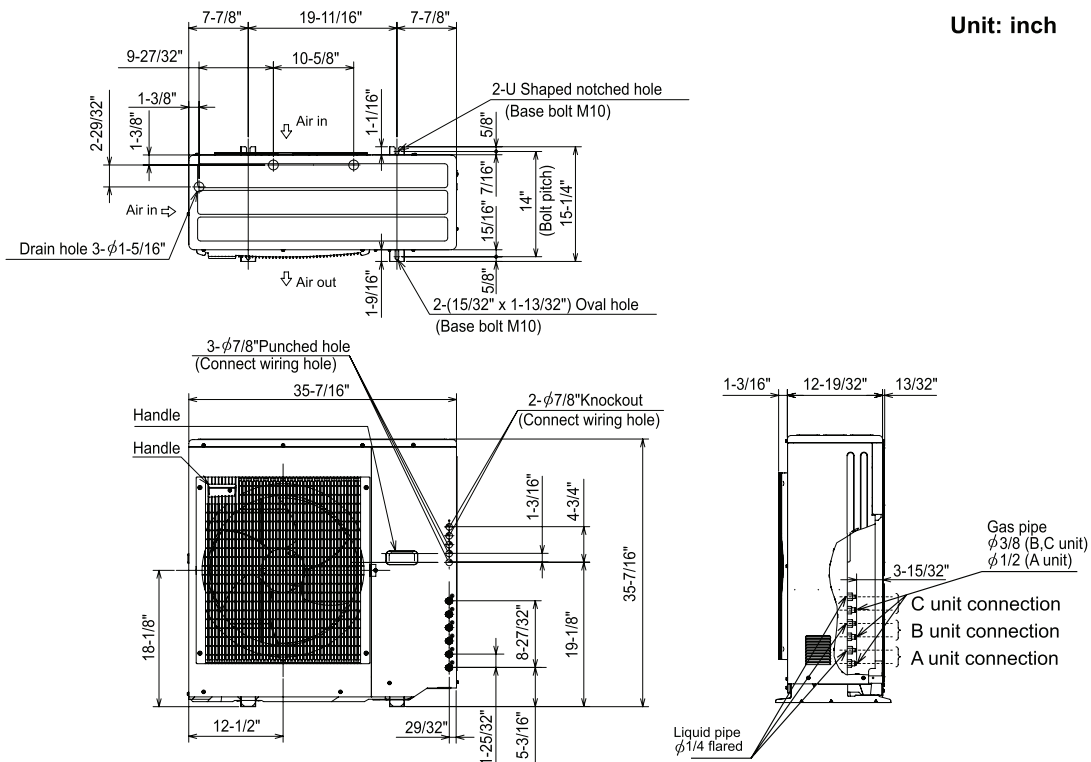
Operation Performance for Indoor Unit Combinations (Unit A + Unit B + Unit C)	Cooling Capacity Range (Btu/h)				Power Usage Range (W)
	Heating Capacity Range (Btu/h)				
	Unit A	Unit B	Unit C	Total Range	
6	6,500	-	-	5,200 - 6,500	460 - 580
	7,800	-	-	6,800 - 14,400	540 - 1,460
9	9,000	-	-	7,200 - 9,000	580 - 820
	10,900	-	-	8,600 - 15,400	780 - 1,520
12	12,000	-	-	7,200 - 12,000	580 - 1,020
	13,600 - 14,400	-	-	8,600 - 16,400	780 - 1,600
15	14,000 - 15,000	-	-	7,200 - 15,000	580 - 1,340
	18,000	-	-	8,600 - 21,100	780 - 2,280
18	17,200	-	-	7,200 - 17,200	580 - 1,590
	21,600	-	-	8,600 - 24,900	780 - 2,770
24	22,000	-	-	7,200 - 22,000	580 - 2,200
	23,200	-	-	8,600 - 27,800	780 - 3,000
6 + 6	6,500	6,500	-	12,000 - 13,000	920 - 960
	7,800	7,800	-	11,000 - 31,000	740 - 2,560
6 + 9	6,500	9,000	-	12,000 - 15,500	920 - 1,260
	7,800	10,900	-	11,000 - 31,000	740 - 2,560
6 + 12	6,500	12,000	-	12,000 - 18,500	920 - 1,600
	7,800	13,600	-	11,000 - 31,000	740 - 2,560
6 + 15	6,500	14,000 - 15,000	-	12,000 - 21,500	920 - 1,940
	7,800	18,000	-	11,000 - 33,000	740 - 2,800
6 + 18	6,500	17,200	-	12,000 - 23,700	920 - 2,460
	7,200	19,800	-	11,000 - 35,000	740 - 2,920
6 + 24	5,900	20,100	-	12,000 - 26,000	920 - 2,800
	6,800	20,200	-	11,000 - 35,000	740 - 2,860
9 + 9	9,000	9,000	-	12,000 - 18,000	920 - 1,840
	10,900	10,900	-	11,000 - 31,000	740 - 2,560
9 + 12	9,000	12,000	-	12,000 - 21,000	920 - 2,040
	10,900	13,600 - 14,400	-	11,000 - 33,000	740 - 2,800
9 + 15	9,000	15,000	-	12,000 - 24,000	920 - 2,540
	10,100	16,900	-	11,000 - 35,000	740 - 2,920
9 + 18	8,900	17,100	-	12,000 - 26,000	920 - 2,840
	9,000	18,000	-	11,000 - 35,000	740 - 2,920
9 + 24	7,600	20,400	-	12,000 - 28,000	920 - 3,220
	7,300	19,700	-	11,000 - 35,000	740 - 2,740
12 + 12	12,000	12,000	-	12,000 - 24,000	920 - 2,540
	13,500	13,100 - 13,500	-	11,000 - 35,000	740 - 2,920
12 + 15	11,500	14,500	-	12,000 - 26,000	920 - 2,840
	11,600 - 12,000	15,000 - 15,400	-	11,000 - 35,000	740 - 2,860
12 + 18	10,400	15,600	-	12,000 - 26,000	920 - 2,840
	10,400 - 10,800	16,200 - 16,600	-	11,000 - 35,000	740 - 2,860
15 + 15	13,000	13,000	-	12,000 - 26,000	920 - 2,840
	13,500	13,500	-	11,000 - 35,000	740 - 2,800
15 + 18	11,700 - 11,800	14,200 - 14,300	-	12,000 - 26,000	920 - 2,840
	12,300	14,700	-	11,000 - 35,000	740 - 2,800
18 + 18	13,000	13,000	-	12,000 - 26,000	920 - 2,840
	13,500	13,500	-	11,000 - 35,000	740 - 2,800

## MXZ-3B30NA-1 OPERATION PERFORMANCE, contd.

Operation Performance for Indoor Unit Combinations (Unit A + Unit B + Unit C)	Cooling Capacity Range (Btu/h)				Power Usage Range (W)
	Heating Capacity Range (Btu/h)				
	Unit A	Unit B	Unit C	Total Range	
6 + 6 + 6	6,500	6,500	6,500	12,600 - 19,500	1,000 - 1,600
	7,800	7,800	7,800	11,400 - 36,000	740 - 2,820
6 + 6 + 9	6,500	6,500	9,000	12,600 - 22,000	1,000 - 1,940
	7,800	7,800	10,900	11,400 - 36,000	740 - 2,820
6 + 6 + 12	6,500	6,500	12,000	12,600 - 25,000	1,000 - 2,330
	7,450 - 7,650	7,450 - 7,650	13,300 - 13,700	11,400 - 36,000	740 - 2,820
6 + 6 + 15	6,500	6,500	14,000 - 15,000	12,600 - 28,000	1,000 - 2,580
	6,650	6,650	15,300	11,400 - 36,000	740 - 2,820
6 + 6 + 18	6,100	6,100	16,200	12,600 - 28,400	1,000 - 3,190
	6,000	6,000	16,600	11,400 - 36,000	740 - 2,820
6 + 9 + 9	6,500	9,000	9,000	12,600 - 24,500	1,000 - 2,290
	7,600	10,000 - 10,500	10,000 - 10,500	11,400 - 36,000	740 - 2,820
6 + 9 + 12	6,500	9,000	12,000	12,600 - 27,500	1,000 - 2,690
	6,800 - 6,900	8,900 - 9,700	12,000 - 12,400	11,400 - 36,000	740 - 2,820
6 + 9 + 15	6,000 - 6,200	7,900 - 8,700	13,500 - 14,000	12,600 - 28,400	1,000 - 3,260
	6,100	8,000 - 8,500	14,000	11,400 - 36,000	740 - 2,820
6 + 9 + 18	5,600	7,300 - 7,600	15,000	12,600 - 28,400	1,000 - 3,260
	5,600	7,200 - 7,700	15,300	11,400 - 36,000	740 - 2,820
6 + 12 + 12	6,000	11,200	11,200	12,600 - 28,400	1,000 - 3,260
	6,100 - 6,400	11,100 - 11,500	10,900 - 11,250	11,400 - 36,000	740 - 2,820
6 + 12 + 15	5,500 - 5,700	10,200 - 10,500	12,600 - 12,700	12,200 - 28,400	1,000 - 3,260
	5,550 - 5,600	9,900 - 10,250	12,800 - 13,100	11,400 - 36,000	740 - 2,820
6 + 15 + 15	5,000 - 5,400	11,200 - 11,700	11,500 - 12,000	12,600 - 28,400	1,000 - 3,260
	5,100	11,750	11,750	11,400 - 36,000	740 - 2,820
9 + 9 + 9	8,500 - 9,000	8,500 - 9,000	8,500 - 9,000	12,600 - 27,000	1,000 - 2,950
	9,000 - 9,500	9,000 - 9,500	9,000 - 9,500	11,400 - 36,000	740 - 2,820
9 + 9 + 12	8,000 - 8,500	8,000 - 8,500	11,400	12,600 - 28,400	1,000 - 3,330
	8,100 - 8,800	8,100 - 8,800	11,000 - 11,400	11,400 - 36,000	740 - 2,820
9 + 9 + 15	7,250 - 8,000	7,250 - 8,000	12,400 - 12,900	12,600 - 28,400	1,000 - 3,330
	7,300 - 7,800	7,300 - 7,800	13,000	11,400 - 36,000	740 - 2,820
9 + 9 + 18	6,600 - 7,100	6,600 - 7,100	14,200	12,600 - 28,400	1,000 - 3,330
	6,700 - 7,200	6,700 - 7,200	14,200	11,400 - 36,000	740 - 2,820
9 + 12 + 12	7,300 - 7,800	10,300	10,300	12,600 - 28,400	1,000 - 3,330
	7,300 - 8,200	10,200 - 10,600	10,000 - 10,400	11,400 - 36,000	740 - 2,820
9 + 12 + 15	6,600 - 7,300	9,500 - 9,700	11,400 - 11,800	12,600 - 28,400	1,000 - 3,330
	6,700 - 7,300	9,200 - 9,500	11,900 - 12,100	11,400 - 36,000	740 - 2,820

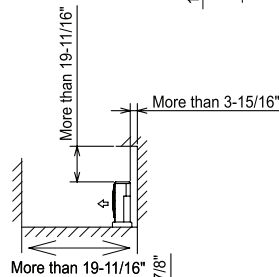
# DIMENSIONS: MXZ-3B30NA-1

Unit: inch

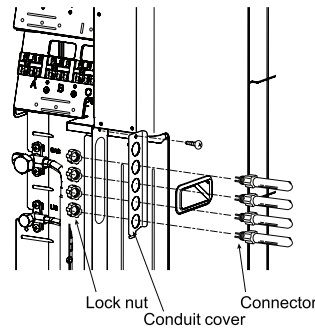
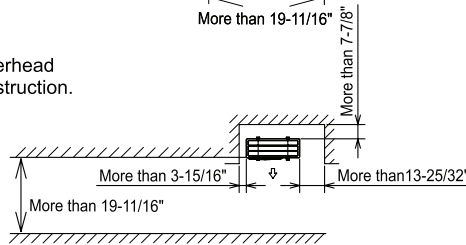


## 1. Installation space

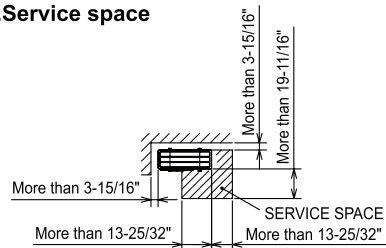
Note : Leave both sides free of obstruction.



Note : Leave overhead free of obstruction.



## 2. Service space



**Intertek**



1340 Satellite Boulevard  
 Suwanee, GA 30024  
 Tele: 678-376-2900 • Fax: 800-889-9904  
 Toll Free: 800-433-4822  
 www.mehvac.com