

SUBMITTAL DATA: MXZ-2B20NA-1

MULTI-INDOOR INVERTER HEAT-PUMP SYSTEM

Job Name:	Location:	Date:
Purchaser:	Engineer:	
Submitted to:	For <input type="checkbox"/> Reference <input type="checkbox"/> Approval <input type="checkbox"/> Construction	
System Designation:	Schedule No.:	

GENERAL FEATURES

- Compact side discharge outdoor unit
- Wireless or wired remote controller, indoor unit dependent
- Quiet operation
- Automatic fan speed control
- Auto restart following power outage
- Self-check function—integrated diagnostics
- Advanced microprocessor control
- Limited warranty: five years parts and seven years compressors

ACCESSORIES

- Air Outlet Guide (MAC-856SG)
- 3/8" x 1/2" Port Adapter (MAC-A454JP; for use with 15,000 Btu/h Indoor units)



Outdoor Unit: MXZ-2B20NA-1



Specifications			Model Name
Unit Type			MXZ-2B20NA-1
Cooling* (Non-ducted/Ducted)	Rated Capacity	Btu/h	18,000 / 20,000
	Maximum Capacity	Btu/h	20,000 / 20,000
	Total Input	W	1,440 / 2,190
Heating at 47°F* (Non-ducted/Ducted)	Rated Capacity	Btu/h	22,000 / 22,000
	Maximum Capacity	Btu/h	25,000 / 25,000
	Total Input	W	1,650 / 1,780
Heating at 17°F* (Non-ducted/Ducted)	Rated Capacity	Btu/h	12,500 / 12,500
	Total Input	W	1,350 / 1,430
Electrical Requirements	Power Supply	Voltage, Phase, Hertz	208 / 230V, 1-Phase, 60 Hz
	Recommended Fuse/Breaker Size	A	20
	MCA	A	15
Voltage	Indoor - Outdoor S1-S2	V	AC 208 / 230
	Indoor - Outdoor S2-S3	V	DC ±24
Compressor			DC Inverter-driven Twin Rotary
Blower Motor (ECM)		F.L.A.	0.96
Sound Pressure Level (Non-ducted/Ducted)	Cooling	dB(A)	49
	Heating	dB(A)	51
External Dimensions (H x W x D)		In. / mm	27-15/16 x 33-1/16 x 13 / 710 x 840 x 330
Net Weight		Lbs. / kg	130 (59)
External Finish			Munsell No. 3Y 7.8 / 1.1
Refrigerant Pipe Size O.D. — Four Ports	Liquid (High Pressure)	(In. / mm)	1/4 / 6.3
	Gas (Low Pressure)		A,B: 3/8 / 9.52 5
Max. Refrigerant Line Length		Ft.	164
Max. Piping Length for Each Indoor Unit		Ft.	82
Max. Refrigerant Pipe Height Difference	If Indoor Unit is Above Outdoor Unit	Ft.	49
	If Indoor Unit is Below Outdoor Unit		33
Connection Method			Flared
Refrigerant			R410A

(For data on specific indoor units, see the MXZ-B Technical and Service Manual.)

* Rating Conditions per AHRI Standard:

Cooling | Indoor: 80° F (27° C) DB / 67° F (19° C) WB
Cooling | Outdoor: 95° F (35° C) DB / 75° F (24° C) WB

Heating at 47°F | Indoor: 70° F (21° C) DB / 60° F (16° C) WB
Heating at 47°F | Outdoor: 47° F (8° C) DB / 43° F (6° C) WB

Heating at 17° F | Indoor: 70° F (21° C) DB / 60° F (16° C) WB
Heating at 17° F | Outdoor: 17° F (-8° C) DB / 15° F (-9° C) WB

SPECIFICATIONS: MXZ-2B20NA-1, contd.

Operating Range:

		Indoor Intake Air Temp.	Outdoor Intake Air Temp.
Cooling	Maximum	95° F (35° C) DB 71° F (22° C) WB	115° F (46° C) DB
	Minimum	67° F (19° C) DB 57° F (14° C) WB	14° F (-10° C) DB
Heating	Maximum	80° F (27° C) DB 67° F (19° C) WB	75° F (24° C) DB 65° F (18° C) WB
	Minimum	70° F (21° C) DB 60° F (16° C) WB	6° F (-14° C) DB 5° F (-15° C) WB

Energy Efficiencies:

Indoor Unit Type	SEER	EER	HSPF	COP @ 47°F	COP @ 17°F
MSZ-GE09NA-8 x 2	18.0	12.5	8.9	3.9	2.7

Multi-zone Indoor/Outdoor Combination Table

	MSZ-FE*	MSZ-GE*	MFZ*	SEZ*	SLZ*	PCA (A24)*	PLA (A12/18/24)*	PEAD (A24)*
MXZ-2B20NA-1	OK	06/09/12/15 OK 18, 24 NO	09/12 OK 18 NO	09/12/15 OK 18 NO	OK	NO	NO	NO

* Refer to indoor unit submittal.

Notes:

- Minimum of two Indoor Units must be connected to the MXZ-2B20NA-1.
- Minimum installed capacity cannot be less than 12,000 Btu/h.
- There are NO indoor units larger than 24,000 Btu/h that can be connected to MXZ Systems.
- PLA-A12BA can NOT be connected with MXZ-2B20NA-1/MXZ-3B24NA-1/MXZ-3B30NA-1/MXZ-4B36NA-1.
- System can operate with only one Indoor Unit turned on. (see Operation Performance Table next page for single Indoor Unit performance).
- May connect to any style indoor unit or combination.
- Information provided at 208/230V. Refer to the MXZ Outdoor Unit Service Manual for detailed specifications and additional information per Indoor Unit Combination.

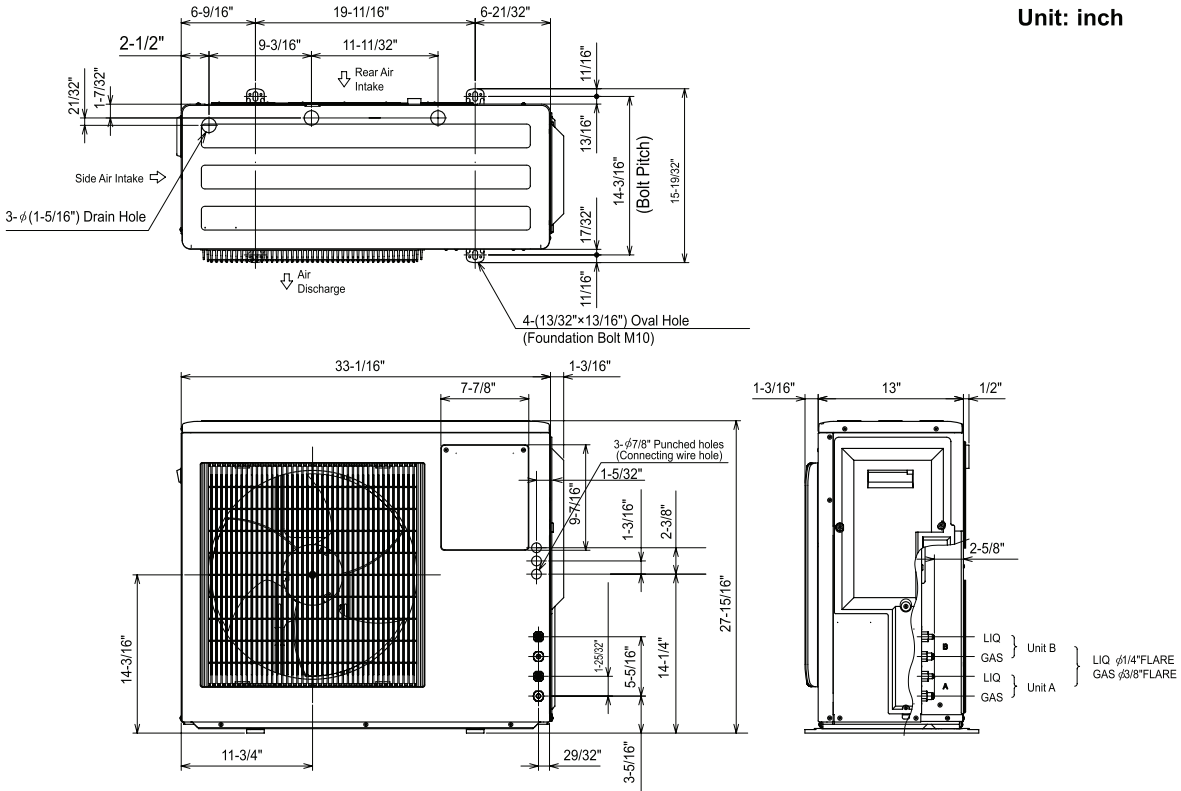
Notes:

MXZ-2B20NA-1 OPERATION PERFORMANCE

Operation Performance for Indoor Unit Combinations (Unit A + Unit B)	Cooling Capacity Range (Btu/h)			Power Usage Range (W)
	Heating Capacity Range (Btu/h)			
	Unit A	Unit B	Total Range	
6	6,000	-	5,400 - 9,000	490 - 680
	7,400	-	5,200 - 14,400	480 - 1,400
9	9,000	-	5,400 - 9,000	490 - 750
	10,900 - 11,000	-	5,200 - 15,400	480 - 1,430
12	12,000	-	5,400 - 12,000	490 - 1,010
	13,600	-	5,200 - 16,400	480 - 1,460
15	15,000	-	5,400 - 15,000	490 - 1,560
	18,000	-	5,200 - 21,100	480 - 2,100
6 + 6	6,000	6,000	7,800 - 15,000	510 - 1,820
	7,400	7,400	8,500 - 25,500	520 - 2,410
6 + 9	6,000	9,000	7,800 - 18,000	630 - 1,820
	7,400	10,900 - 11,000	8,500 - 25,500	520 - 2,520
6 + 12	6,000	12,000	7,800 - 20,000	630 - 1,820
	7,400	13,600	8,500 - 25,500	520 - 2,520
6 + 15	5,800	14,200	7,800 - 23,000	630 - 2,230
	6,400	15,600	8,500 - 25,500	520 - 2,520
9 + 9	9,000	9,000	7,800 - 20,000	630 - 1,820
	10,900 - 11,000	10,900 - 11,000	8,500 - 25,500	520 - 2,620
9 + 12	8,500	11,500	7,800 - 23,000	630 - 2,230
	9,500	12,500	8,500 - 25,500	520 - 2,620
9 + 15	7,500	12,500	7,800 - 23,000	630 - 2,230
	8,250	13,750	8,500 - 25,500	520 - 2,620
12 + 12	10,000	10,000	7,800 - 23,000	630 - 2,230
	11,000	11,000	8,500 - 25,500	520 - 2,620

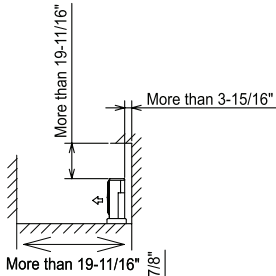
DIMENSIONS: MXZ-2B20NA-1

Unit: inch

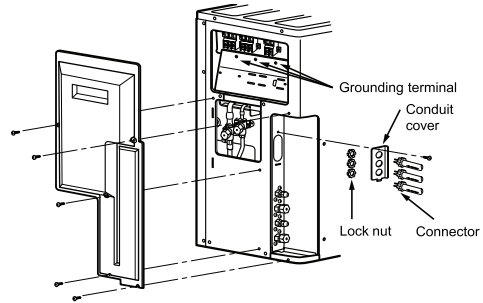
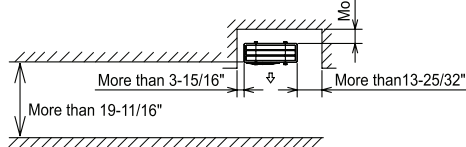


1. Installation space

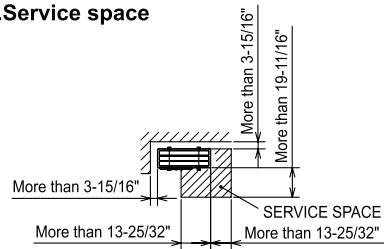
Note : Leave both sides free of obstruction.



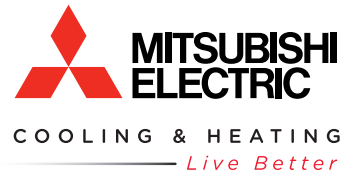
Note : Leave overhead free of obstruction.



2. Service space



Intertek



1340 Satellite Boulevard
Suwanee, GA 30024
Tele: 678-376-2900 • Fax: 800-889-9904
Toll Free: 800-433-4822
www.mehvac.com