

**SUBMITTAL DATA: MSZ-FE09NA-8 & MUZ-FE09NA-1**  
 9,000 BTU/H WALL-MOUNTED HEAT PUMP SYSTEM

Job Name:

System Reference:

Date:


**GENERAL FEATURES**

- Highly energy-efficient system that features 100% heating capacity at 5°F, 82% at -4°F, and 62% at -13°F
- Updated sleek, compact indoor unit design
- Includes Standard, Platinum Deodorizing, and Anti-allergy Enzyme filters for a complete air purifying system
- “Powerful Mode” function permits system to temporarily run at a lower/higher temperature with an increased fan speed, which quickly brings the room to the optimum comfort level
- Integrated i-see Sensor automatically adjusts the unit’s operation according to temperature differences detected between the floor and the intake air, ensuring optimum comfort and energy usage
- Hand-held Wireless Remote Controller
- Base heater is available as an option
- Limited warranty: five years parts and seven years compressors

**ACCESSORIES**
**Outdoor Unit**

- Base Heater (MAC-640BH-U)
- Drain Socket (MAC-851DS)

**Indoor Unit**

- Condensate Pump (SI3100-230; 230V)
- Replacement Platinum Deodorizing Filter (MAC-308FT)
- Replacement Anti-allergy Enzyme Filter (MAC-418FT; MERV 8)

**Controller Options**

- Wireless Wall-mounted Remote Controller Kit (MHK1)\*
- Portable Central Controller (MCCH1)\*
- Outdoor Air Sensor (MOS1)\*
- Wired Wall-mounted Controller (PAR-31MAA requires MAC-333IF)\*
- Simple MA Remote Controller (PAC-YT53CRAU requires MAC-333IF)\*

\*See Submittal for information on each option.

- System Control Interface (MAC-333IF)

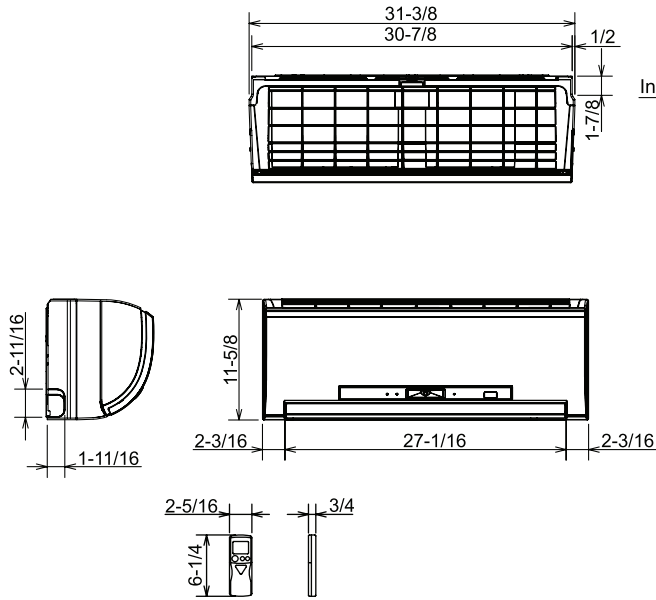




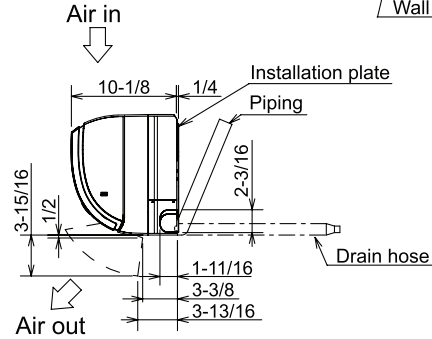
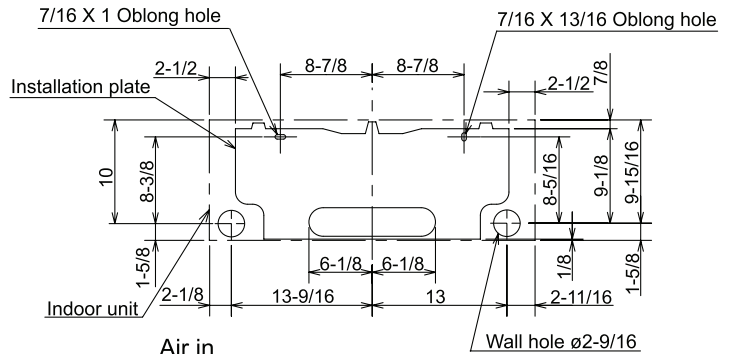
# DIMENSIONS: MSZ-FE09NA-8 & MUZ-FE09NA-1

## MSZ-FE09NA-8

Unit: inch

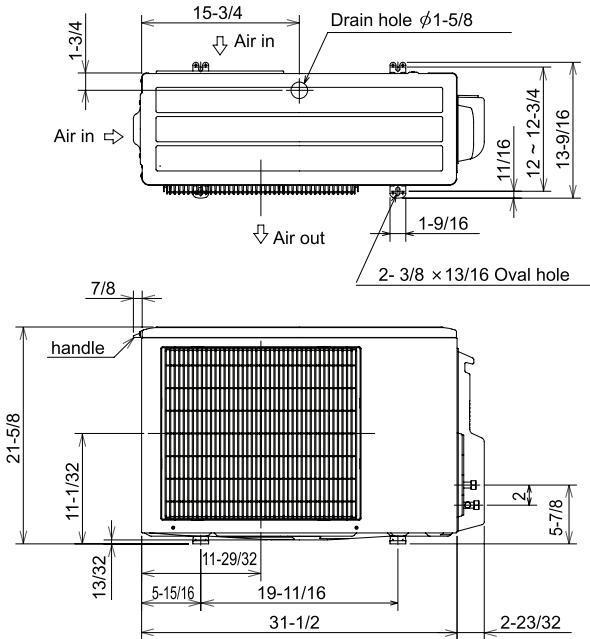


Insulation	ø1-3/8 O.D
Piping	
Liquid line	ø1/4 19-11/16 (Flared connection ø1/4)
Gas line	ø3/8 16-15/16 (Flared connection ø3/8)
Drain hose	Insulation ø1-1/8 O.D Connected part ø5/8 O.D

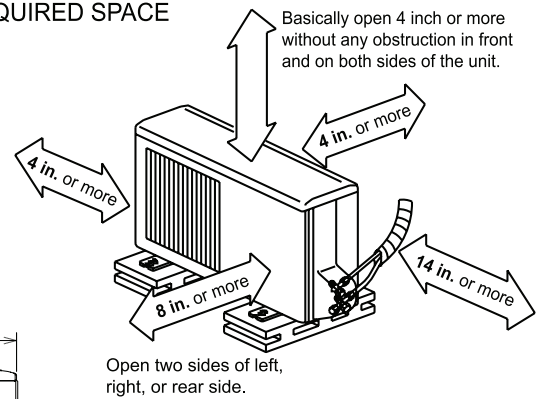


## MUZ-FE09NA-1

Unit: inch



### REQUIRED SPACE



Liquid pipe : 1/4 (flared)  
Gas pipe : 3/8 (flared)



Intertek



COOLING & HEATING

1340 Satellite Boulevard  
Suwanee, GA 30024  
Toll Free: 800-433-4822  
www.mehvac.com