

SUBMITTAL DATA: MSY-D36NA & MUY-D36NA

36,000 BTU/H WALL-MOUNTED AIR-CONDITIONING SYSTEM

Job Name:	Location:	Date:
Purchaser:	Engineer:	
Submitted to:	For <input type="checkbox"/> Reference <input type="checkbox"/> Approval <input type="checkbox"/> Construction	
System Designation:	Schedule No.:	

GENERAL FEATURES

- Catechin and anti-allergy enzyme filters for high air-purification capabilities
- Updated sleek, compact indoor unit design
- Remote-controlled wide airflow enables ideal horizontal air distribution
- Self-check function—onboard diagnostics
- Advanced microprocessor control
- Auto restart following a power outage
- Hand-held Wireless Remote Controller
- Anti-allergy Enzyme Filter
- Limited warranty: five years on parts and defects and seven years on compressors

OPTIONAL ACCESSORIES
Outdoor Unit

- Drain Socket Assembly (MAC-811DS)

Indoor Unit

- Three-pole Disconnect Switch (TAZ-MS303)
- Condensate Pump (230V; S13100-230)

Controller Options

- Wall-mounted Wired Remote Controller (PAR-21MAA; req. MAC-3971F)
- MA Contact Terminal Interface (MAC-3971F)
- M-NET Control Adapter (MAC-3991F)
- Remote Temperature Sensor (M21-JKO-307)
- Lockdown Bracket for Hand-held Controller (RCMKP1CB)

Cooling*

Rated Capacity 34,600 Btu/h
 Minimum Capacity 9,800 Btu/h
 SEER 15.1 Btu/h/W
 Total Input 4,240 W

* Rating Conditions (Cooling) - Indoor: 80°F (27°C) DB, 67°F (19°C) WB; Outdoor: 95°F (35°C) DB, 75°F (24°C) WB.

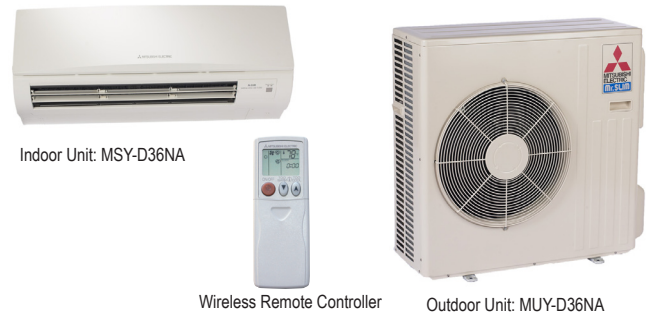
Power Supply 208 / 230V, 1-Phase, 60 Hz
 Breaker Size 25 A

Voltage

Indoor - Outdoor S1-S2 AC 208 / 230V
 Indoor - Outdoor S2-S3 DC 12-24V
 Indoor - Remote Controller Wireless

OPERATING RANGE

		Indoor Intake Air Temp.	Outdoor Intake Air Temp.
Cooling	Maximum	90°F (32°C) DB, 73°F (23°C) WB	115°F (46°C) DB
	Minimum	67°F (19°C) DB, 57°F (14°C) WB	14°F (-10°C) DB


Indoor Unit

MCA 1 A
 Fan Motor 0.76 F.L.A.
 Airflow
 Cooling (Lo - Med - Hi - Powerful) 389 - 639 - 848 - 887 Dry CFM
 350 - 576 - 763 - 798 Wet CFM
 Sound Pressure Level
 Cooling (Lo - Med - Hi - Powerful) 32 - 42 - 49 - 51 dB(A)

DIMENSIONS	UNIT INCHES / MM
W	46-1/16 / 1,170
D	11-5/8 / 295
H	14-3/8 / 365

Weight 40 lbs. / 18 kg
 External Finish Munsell No. 1.0Y 9.2 / 0.2
 Field Drainpipe Size O.D. 5/8" / 15.88 mm

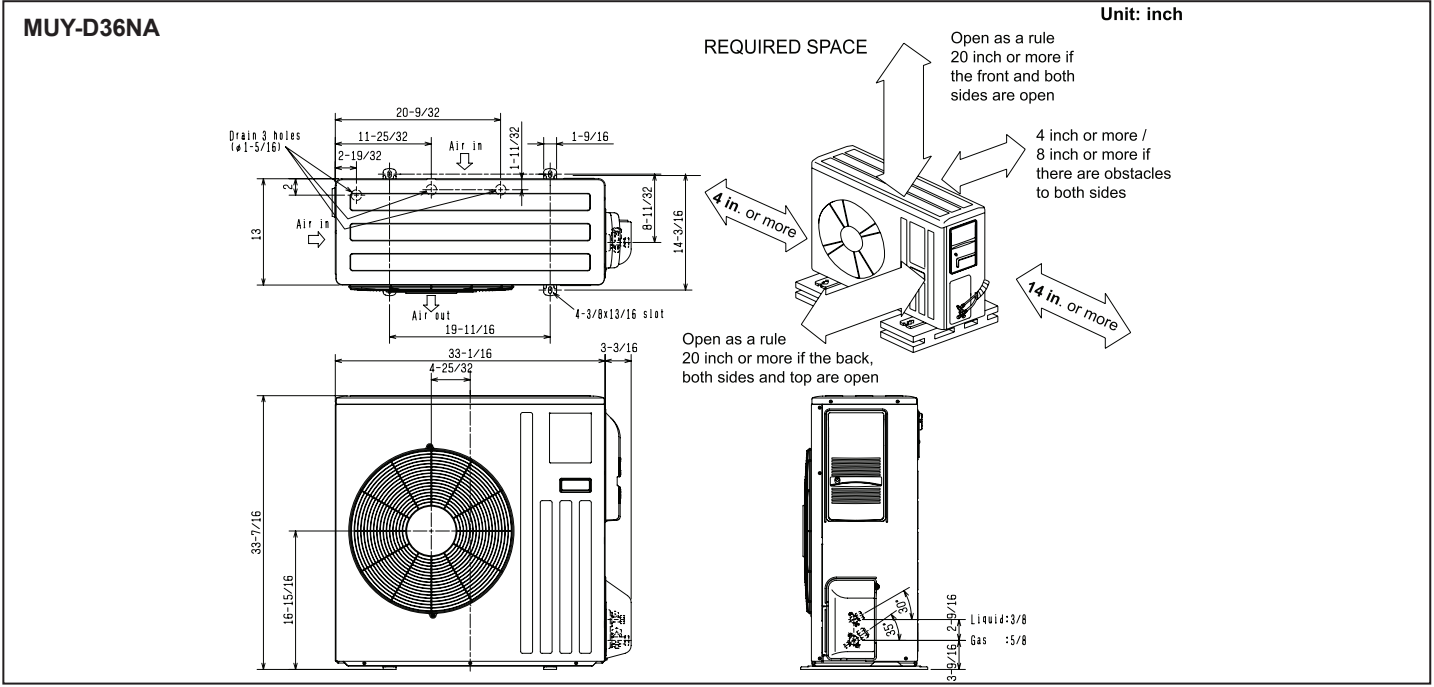
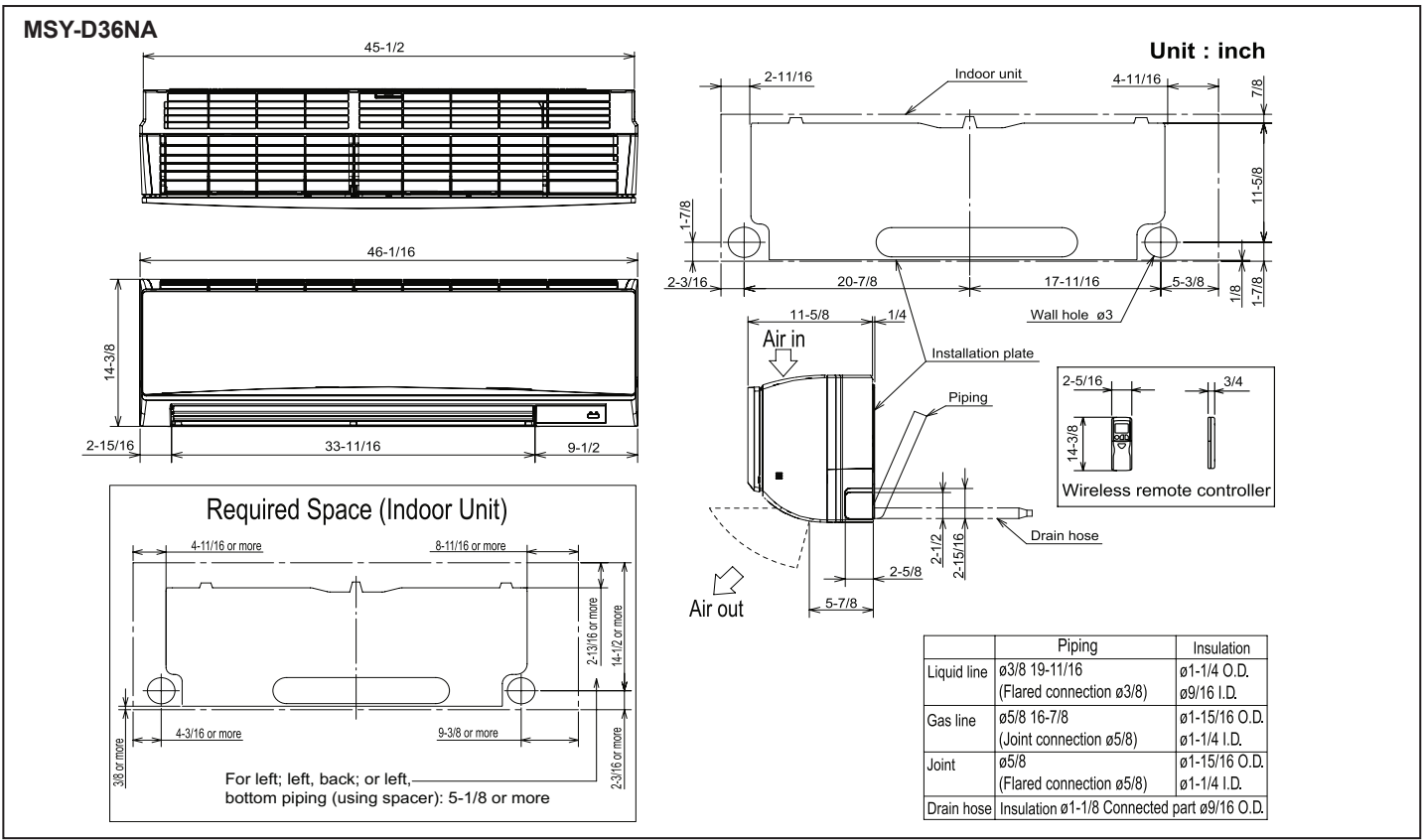
Outdoor Unit

Compressor DC Inverter-driven Rotary
 MCA 21 A
 Fan Motor 0.93 F.L.A.
 Sound Pressure Level
 Cooling56 dB(A)

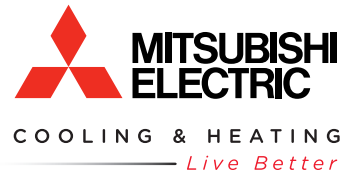
DIMENSIONS	INCHES / MM
W	33-1/16 / 840
D	13 / 330
H	33-7/16 / 849

Weight 126 lbs. / 57 kg
 External Finish Munsell No. 3Y 7.8 / 1.1
 Refrigerant Type R410A
 Refrigerant Pipe Size O.D.
 Gas Side 5/8" / 15.88 mm
 Liquid Side 3/8" / 9.53 mm
 Max. Refrigerant Pipe Length 100' / 30 m
 Max. Refrigerant Pipe Height Difference 50' / 15 m
 Connection Method Flared

DIMENSIONS: MSY-D36NA & MUY-D36NA



Intertek



3400 Lawrenceville Suwanee Rd
Suwanee, GA 30024
Tele: 678-376-2900 • Fax: 800-889-9904
Toll Free: 800-433-4822 (#3)
www.mehvac.com
Specifications are subject to change without notice.