

SUBMITTAL DATA: MSY-D30NA-8 & MUY-D30NA-1

30,000 BTU/H WALL-MOUNTED AIR-CONDITIONING SYSTEM

Job Name:

System Reference:

Date:



Indoor Unit: MSY-D30NA-8



Wireless Remote Controller



Outdoor Unit: MUY-D30NA-1

GENERAL FEATURES

- Catechin and anti-allergy enzyme filters for high air-purification capabilities
- Updated sleek, compact indoor unit design
- Remote-controlled wide airflow enables ideal horizontal air distribution
- Self-check function—onboard diagnostics
- Advanced microprocessor control
- Auto restart following a power outage
- Hand-held Wireless Remote Controller
- Anti-allergy Enzyme Filter
- Limited warranty: five years parts and seven years compressors

ACCESSORIES

Outdoor Unit

- Drain Socket Assembly (MAC-811DS)

Indoor Unit

- Three-pole Disconnect Switch (TAZ-MS303)
- Condensate Pump (230V; SI3100-230)

Controller Options

- Wireless Wall-mounted Remote Controller Kit (MHK1)*
- Portable Central Controller (MCCH1)*
- Outdoor Air Sensor (MOS1)*
- Wired Wall-mounted Controller (PAR-31MAA requires MAC-333IF)*
- Simple MA Remote Controller (PAC-YT53CRAU requires MAC-333IF)*

*See Submittal for information on each option.

- System Control Interface (MAC-333IF)
- Remote Temperature Sensor (M21-JKO-307)
- Lockdown Bracket for Handheld Controller (RCMKP1CB)



SPECIFICATIONS: MSY-D30NA-8 & MUY-D30NA-1

Cooling*

Rated Capacity 30,700 Btu/h
Minimum Capacity 9,800 Btu/h
SEER 16.0 Btu/h/W
Total Input 3,380 W

* Rating Conditions per AHRI Standard

Cooling | Indoor: 80° F (27° C) DB / 67° F (19° C) WB
Cooling | Outdoor: 95° F (35° C) DB / 75° F (24° C) WB

ELECTRICAL REQUIREMENTS

Power Supply 208 / 230V, 1-Phase, 60 Hz
Breaker Size 25 A

Voltage

Indoor - Outdoor S1-S2 AC 208 / 230V
Indoor - Outdoor S2-S3 DC ±24V
Indoor - Remote Controller MHK1 DC 3V
PAR-31MAA DC 12V
PAC-YT53CRAU DC 12V

OPERATING RANGE

		Indoor Intake Air Temp.	Outdoor Intake Air Temp.
Cooling	Maximum	90° F (32° C) DB 73° F (23° C) WB	115° F (46° C) DB
	Minimum	67° F (19° C) DB 57° F (14° C) WB	14° F (-10° C) DB

Indoor Unit

MCA 1 A
Blower Motor (ECM) 0.76 F.L.A.
Airflow
Cooling (Lo - Med - Hi - Powerful) 389 - 639 - 848 - 887 Dry CFM
350 - 576 - 763 - 798 Wet CFM
Sound Pressure Level
Cooling (Lo - Med - Hi - Powerful) 32 - 42 - 49 - 50 dB(A)

DIMENSIONS	UNIT INCHES / MM
W	46-1/16 / 1,170
D	11-5/8 / 295
H	14-3/8 / 365

Weight 40 lbs. / 18 kg
External Finish Munsell No. 1.0Y 9.2 / 0.2
Field Drainpipe Size O.D. 5/8" / 15.88 mm
Remote Controller Wireless

Outdoor Unit

Compressor DC Inverter-driven Rotary
MCA 21 A
Fan Motor (ECM) 0.93 F.L.A.
Sound Pressure Level
Cooling 55 dB(A)

DIMENSIONS	INCHES / MM
W	33-1/16 / 840
D	13 / 330
H	33-7/16 / 849

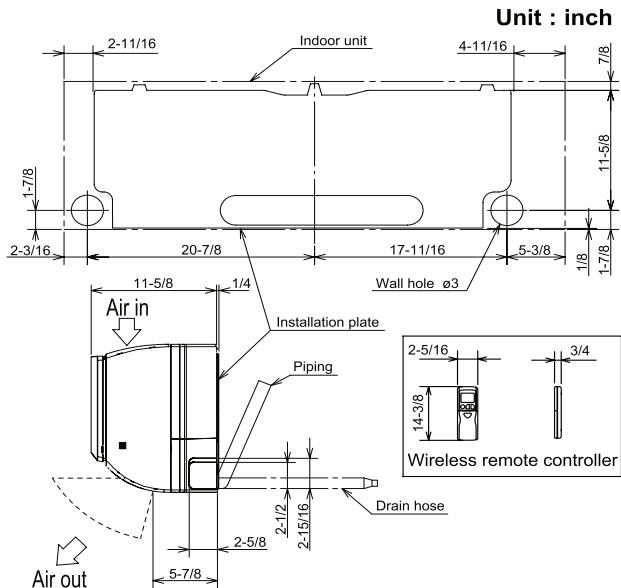
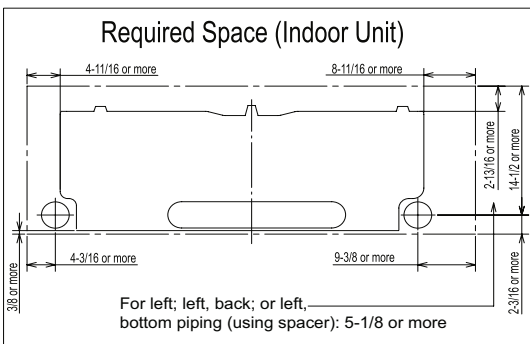
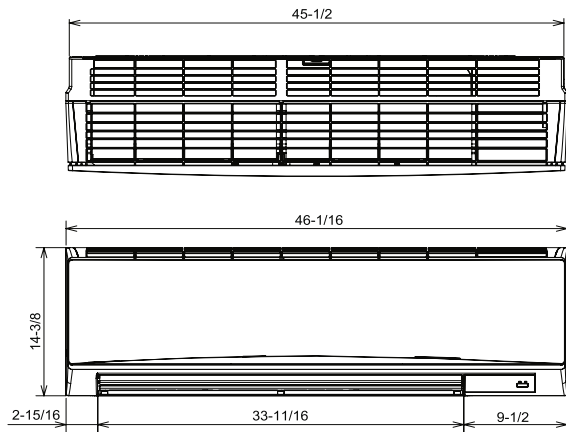
Weight 126 lbs. / 57 kg
External Finish Munsell No. 3Y 7.8 / 1.1

Refrigerant Type R410A
Refrigerant Pipe Size O.D.
Gas Side 5/8" / 15.88 mm
Liquid Side 3/8" / 9.53 mm
Max. Refrigerant Pipe Length 100' / 30 m
Max. Refrigerant Pipe Height Difference 50' / 15 m
Connection Method Flared

Notes:

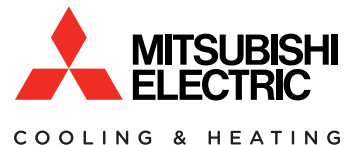
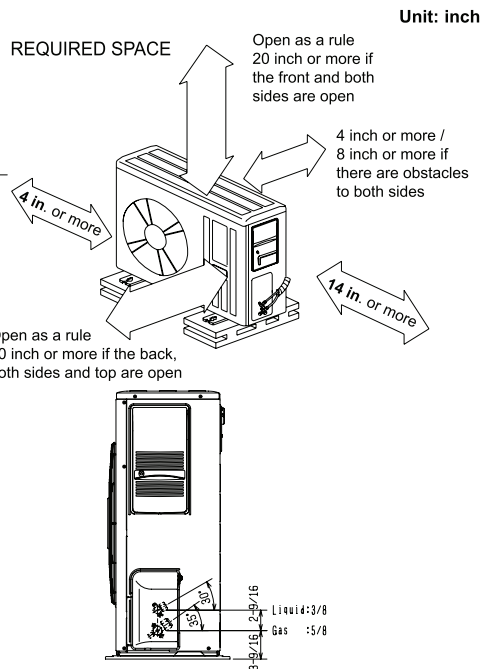
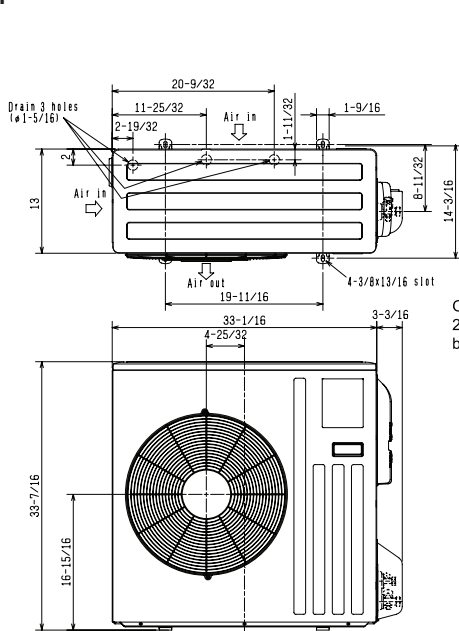
DIMENSIONS: MSY-D30NA-8 & MUY-D30NA-1

MSY-D30NA-8



	Piping	Insulation
Liquid line	ø3/8 19-11/16 (Flared connection ø3/8)	ø1-1/4 O.D. ø9/16 I.D.
Gas line	ø5/8 16-7/8 (Joint connection ø5/8)	ø1-15/16 O.D. ø1-1/4 I.D.
Joint	ø5/8 (Flared connection ø5/8)	ø1-15/16 O.D. ø1-1/4 I.D.
Drain hose	Insulation ø1-1/8 Connected part ø9/16 O.D.	

MUY-D30NA-1



1340 Satellite Boulevard
Suwanee, GA 30024
Toll Free: 800-433-4822
www.mehvac.com